



■ SE-900
Modular 8-Channel
Digital Switcher



- HD & SD Mobile Video Studios
- HD & SD Recorders
- HD & SD Monitors
- Converters
- Chromakey
- HD & SD SDI CG
- Accessories



SE-900



Multi Image Preview Output



Datavideo SE-900 is a modular 8-channel SD switcher with a feature set that may be expanded with additional input cards and accessories. The two piece unit consists of a 19-inch rack mountable main frame, that holds up to 8 input cards, and a control panel. The modular switcher accepts a mix of 8 SD input of your choice including DV, SDI, DVI, YUV and Composite Video. Standard outputs

include DV, YUV, S-Video (Y/C) and Composite Video.

SE-900 features a built in frame synchroniser and TBC for flicker free switching between all 8 inputs - in any format. Optional genlock input card is available for genlock to existing house reference. The preview output includes both next source and next effect, enabling the producer to preview

any effects in confidence before "going live" SE-900 features a down stream keyer for easy integration with a character generator system, such as Datavideo's CG-100 or CG-350. To accommodate for any delay in DV or SDI equipment SE-900 includes an audio delay function as well as a DV/SDI audio embedder.

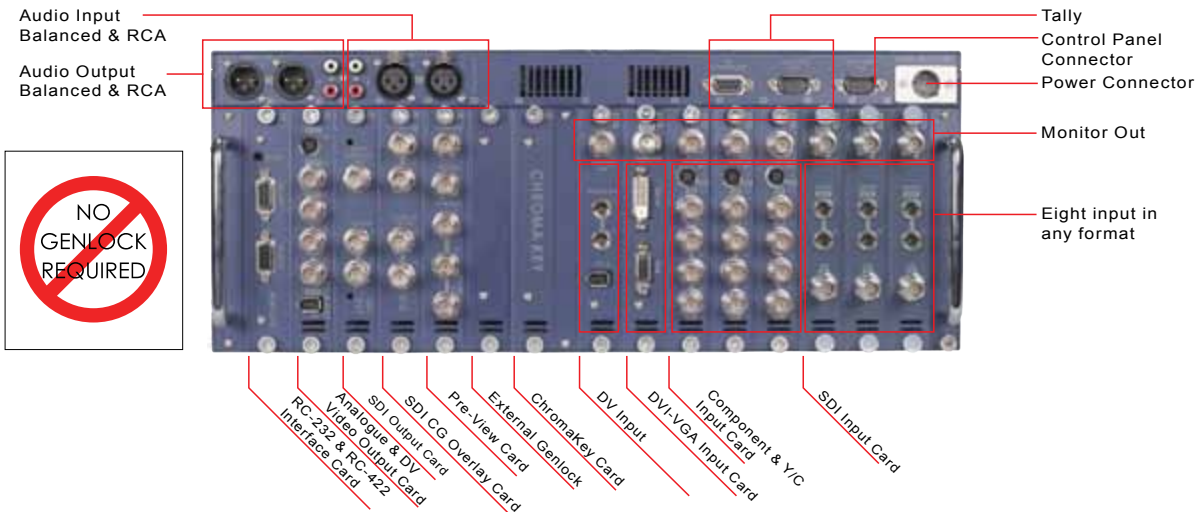
FEATURES

- Up to 8 inputs available for any format including SDI, DV, DVI, VGA, YUV, Composite Video
- Outputs include SDI, DV, YUV, S-Video (Y/C) & Composite Video
- Multi image preview panel allows the producer to monitor all live sources (up to 8 input) as well as Program & Next source
- Easy adjustable audio delay for perfect video/audio sync with DV & SDI sources
- SDI Audio embedder • Audio input & output includes RCA (phono) and balanced audio via XLR
- Optional dual chromakeyer, where each keyer can accept two foreground inputs and two background inputs.
- Picture in Picture
- Tally output
- GPI & RS-232 control interface for integration with existing equipment
- SDI Graphics overlay interface for optimal quality of character generator software such as Datavideo CG-100
- No genlock is required for flicker free switching thanks to the built in frame synchronisers and TBCs

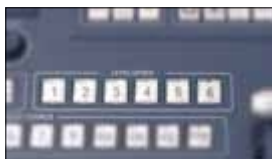
CONTROL PANEL VIEW



BASE UNIT REAR VIEW



FEATURES



Six pre-set speed keys, enabling the producer to set AUTO Take, Key or other pre-event.



Quick key for selection of Fade to Black



Joystick for RGB control or PiP position



Effect selector including PiP, Mosaic, Paint, Chromakey, Logo insert and much more



The bright LCD Screen ensures easy and confident navigation of multi functions for the producer in a live situation.



Ten quick selection keys for pre-set events & effects. Makes it easy to pre-program frequently used special effects.



Four channel virtual studios selection.



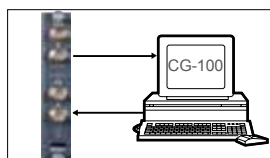
Easy installation of optional cards including SDI, DVI, Down Stream Keyer, Genlock in and more



Both Phone RCA and Balanced XLR audio connection, with advanced audio delay function, assuring perfect audio and video synchronization.



Each live channel, plus preview and program multi image preview



Optional down stream keyer (DSK) board offers both Internal and External keying options. Perfect for integration with character generator software such as Datavideo CG-100 and CG-350


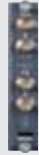
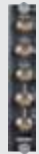
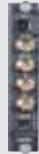


Advanced Tally feature allow easy connection to external tally systems such as Datavideo ITC-100 or TB-5

DIGITAL SD SWITCHER

SE-900 Boards

INCLUDED

 External Control Board	 SDI CG Overlay Board
 Multi-image Preview Output Board	 Analogue and DV - Output Board

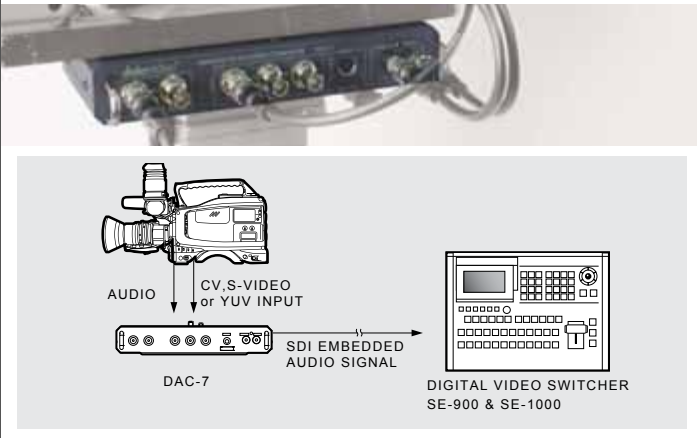
OPTIONAL

 SDI Input Board	 Analogue Video - Input Board
 DVI-D & VGA Input Board	 DV Input Board
 Four Channel Chromakey Board	 SDI Output Board
 Genlock Board	 DVI Multi Viewer Board

Optional converters

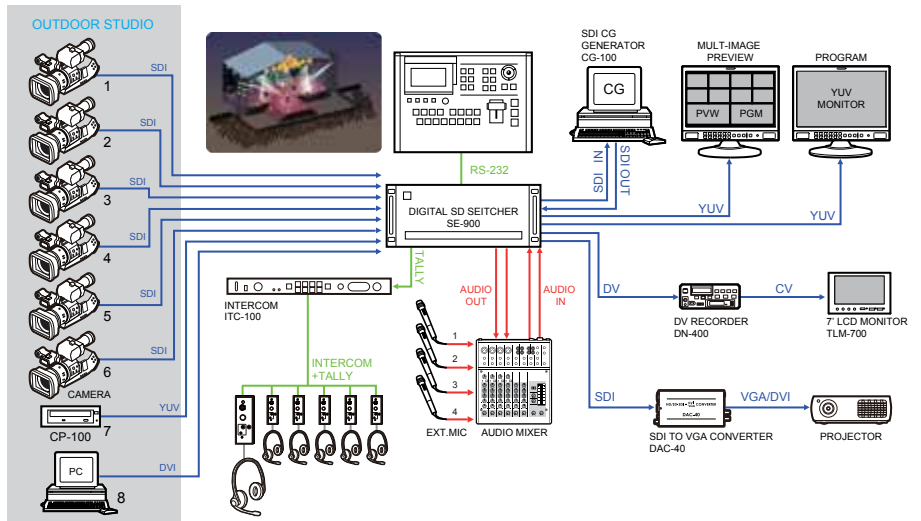
YUV to SDI Converter

DAC-7

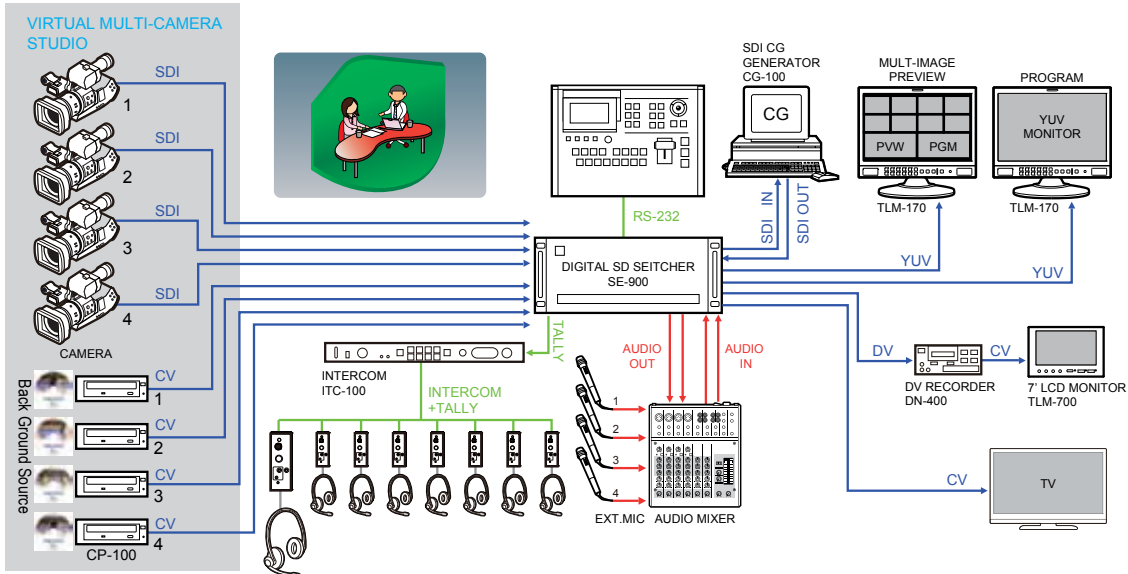


Application & Setup Diagram

Studio System Setup



Chromakey Studio Setup



SPECIFICATIONS

<p>■ Video Input Up to eight input in any format, choose between SDI, DV, Analogue Y:U:V, Composite Video & Y/C (S-Video) DVI-D or VGA</p>	
<p>■ Audio Input Both Balanced XLR and RCA with audio delay for perfect sync with DV or SDI video Sources.</p>	
<p>■ Audio Delay Adjustable for accurate synchronisation between -17 to 0 frame</p>	
<p>■ Video Output Simultaneous SDI, DV, Component Y:U:V, S-video(Y/C) and Composite Video output. Additional output options include; SDI with embedded audio</p>	
<p>■ Audio Output RCA (Phono) and Balanced XLR $\pm 12V_{p-p}$</p>	
<p>■ Preview Output Each input includes a Composite output, as well as a unique multi-image preview</p>	
<p>■ CG Overlay SDI Graphics overlay interface using Datavideo CG-100 or CG-350 utilising Blackmagic Design™ DeckLink Card™</p>	
<p>■ Plus internal DSK</p>	
<p>■ Remote Control RS-422 & RS-232 & GPI</p>	
	<p>■ Tally interface D-SUB 15-PIN Group A 1-4 input, group B 5-8</p>
	<p>■ Video Correction Video correction for each channel include; brightness, contrast, saturation and white balance.</p>
	<p>■ 6 selectable transition speeds</p>
	<p>■ FTB key - Fading to black, Short Cut Key</p>
	<p>■ 10-Pre-event preset keys</p>
	<p>■ 15 transition effects</p>
	<p>■ Digital Effects: PiP, Border Line, Art Paint, Mosaic and Black/White, Chromakey</p>
	<p>■ Power DC12V 10A</p>
	<p>■ Dimensions Main Unit 430 wide x 350 high x 17.6 deep (mm) Control Panel 430 wide x 310 high x 95 deep (mm)</p>
	<p>■ Weight Main Unit 11.4KG Control Panel 2.6KG</p>

SE-900 ACCESSORIES (OPTIONAL)

 <p>TLM-700 7" TFT LCD Monitor</p>	 <p>TLM-702 2 x 7" TFT LCD Monitor Bank</p>	 <p>TLM-404 4 x 4" TFT LCD Monitor Bank</p>	 <p>DN-400 Digital Video Recorder</p>	 <p>DN-500 Digital Video Recorder</p>
 <p>ITC-100 8-channel intercom talk back system</p>	 <p>VP-314 DV Repeaters for long DV cable run or Distribution of DV signal</p>	 <p>TB-5 Tally box and Tally light for camera tally</p>	 <p>DAC-7 YUV to SDI Converter</p>	 <p>CG-100 & CG-350 SDI.. Character Generator software, utilising Blackmagic Design™ DeckLink Card™</p>
 <p>CB-10 3 meters HD/SD YUV Cable</p>	 <p>CA-64 6-Pin to 4-Pin DV adapter</p>	 <p>CB-1 50 meter tally light extension cable between ITC-100 & ICT-100SL</p>	 <p>CB-22/ 23 50m/ 100m all in one cable</p>	 <p>1066/2066 10/20 meter DV Cable. Cable run can be extended to over 160 meter by combining 2066 with several VP-314</p>
 <p>NVS-10 Network Video Server</p>	<p>NVS-10 DIAGRAM</p> 			

datavideo®

Sharing the Value



Datavideo Distributor / Reseller:



DATAVIDEO WORLDWIDE OFFICES

Datavideo Technologies Co. Ltd
10F. No. 176, Jian 1st Rd., Chung Ho City
Taipei Hsien 235, Taiwan,
R.O.C.
Tel: +886-2-8227-2888
Fax: +886-2-8227-2777
E-mail: service@datavideo.com.tw

Datavideo Corporation
7048 Elmer Avenue.
Whittier, CA 90602,
U.S.A.
Tel: +1-562-696 2324
Fax: +1-562-698 6930
E-mail: contactus@datavideo.us

Datavideo Technologies Europe BV
Floridadreef 106
3565 AM Utrecht,
The Netherlands
Tel: +31-30-261 96 56
Fax: +31-30-261 96 57
E-mail: info@datavideo.nl

Datavideo UK Limited
Unit 2 Waterside Business Park Hadfield,
Glossop,
Derbyshire SK13 1BE, UK
Tel: +44-1457 851000
Fax: +44-1457 850964
E-mail: sales@datavideo.co.uk

Datavideo Technologies China Co
2F-D, No. 2, Lane 777 West
Guangzhong Rd. Zhabei District
Shang-hai, China
Tel: +86 21-5603 6599
Fax: +86 21-5603 6770
E-mail: service@datavideo.cn

Datavideo Hong Kong Ltd
G/F., 26 Cross Lane
Wanchai, Hong Kong
Tel: +852-2833-1981
Fax: +852-2833-9916
E-mail: info@datavideo.com.hk

Datavideo Technologies (S) PTE Ltd
No. 22 Lorong 21A Geylang,
#09-02 Prosper Industrial Bldg.,
Singapore 388431
Tel: +65-6749 6866
Fax: +65-6749 3286
E-mail: sales@datavideo.sg